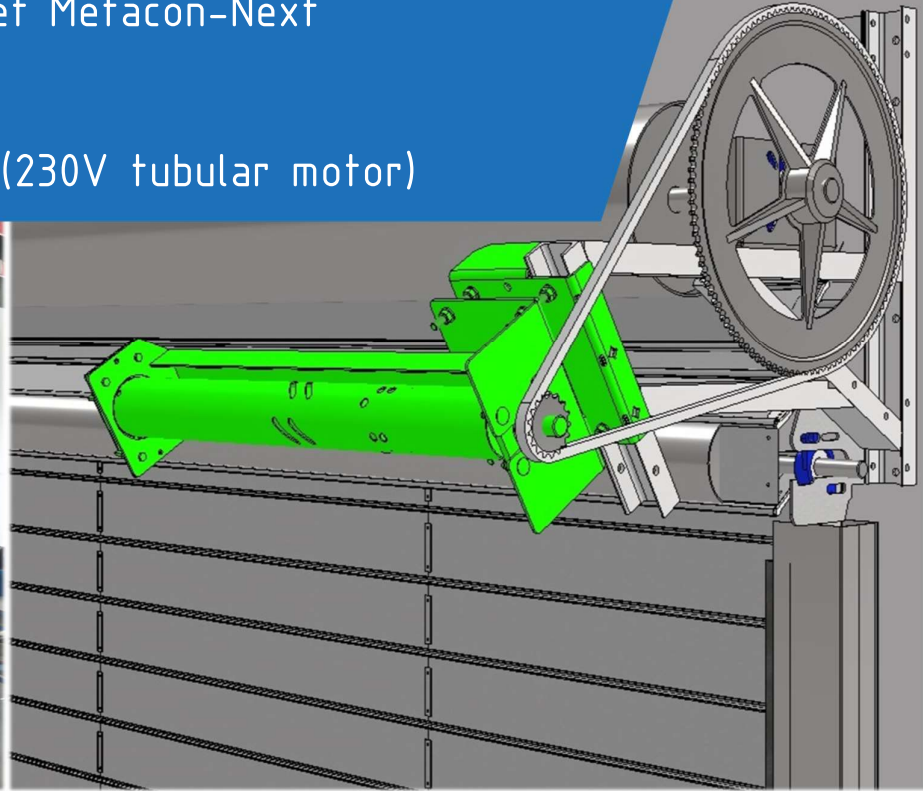


# Product specification sheet Metacon-Next

## RGS EW 240

fire rated roller shutter (230V tubular motor)



### FEATURES

Tested according	EN 1634-1
Classified according	EN 13501-2
CE marked according	EN 13241, EN 16034
Fire classification according EN 13501-2	EW 30, EW 60, EW 90, EW 120 E 30, E 60, E 90, E 120, E 180, E 240 <i>(additional performance EW 240 minutes is not possible to certify according EN 13501-2)</i>
CE certificate number	1812-CPR-2034
Min. dimensions (opening measures)	width 500 mm, height 500 mm, opening $\pm 0,25$ m <sup>2</sup>
Max. dimensions (opening measures)	width 5.000 mm, height 3.500 mm, opening $\pm 10$ m <sup>2</sup>
Cycles max. per day	0 cycles (waiting door)
Cycle test	C0 (< 500 cycles)
Opening speed	$\pm 30$ mm/sec
Closing speed	$\pm 30$ mm/sec

# RGS EW 240

## Slats

Height	150 mm
Thickness	60 mm
Weight	35 kg/m <sup>2</sup>
Material	shells galvanized steel, fire-resistant filling

## Side guides

Measures	width 125, 150 mm per side, depth 115 mm
Material	galvanized steel

## Consoles/brackets

Types	UNP S-80, S-100
Material	electro galvanized

## Safety

Safety	safety catch device
--------	---------------------

## Installation surfaces

Permitted installation substrates	aerated concrete, sand-lime brick, concrete, masonry, fire-resistant steel construction <i>(through-and-through assembly required when fire resistance &gt; 120 minutes; not possible for steel construction subsoil)</i>
-----------------------------------	--

## OPTIONS

Indoor/outdoor application possible	yes
Wind class	till wind class 3 (> 700 Pa)
Cover box, galvanized, for roll and motor	yes
Optional color parts by coating	various RAL, NCS, Sikkens colors (gloss level $\pm$ 40%, layer thickness 80 to 100 $\mu$ )
Optional parts in stainless steel	INOX 304 or 316; only side guides, cover box

# RGS EW 240

## OPERATION



Self-closing tubular motor

Control box

Required power supply

Cable length at tubular motor

Cable length at control box

Maximum cycles per day

Standard

Batteries

Signaling

External switches

SIMU T8F 300

Metacon-Next FireRoll

1N~230 Vac

1.000 mm

1.500 mm

2 cycles

deadman's mode (hold switch, release to stop the door)

integrated batteries in the control box for backup system signals

externally connectable optical (white/red) / acoustic (100 dB) signals

push button switch up-down

key switch up-down

# RGS EW 240

## Specifications tubular motor SIMU T8F 300

type	specification
Rated torque (Nm)	300
Drive speed (min <sup>-1</sup> )	8
Limit switch range	21 revolutions
Connection voltage	230V AC / 50Hz
Connecting power (W)	855
Rated current consumption (A)	3,9
Protection class	IP 44
Motor cable	1 mtr. 10 cores
Operating temperature	+5°C and +40°C

## Specifications control box Metacon-Next FireRoll

type	specification
Weight	1,5 kg
Height	285 mm
Width	195 mm
Depth	100 mm
Electricity consumption	max. 1.1 kW
Nutrition	1N~230Vac +/-10%, 50/60 Hz
Fuse	max. 6.3 A slow
Engine power	max. 1.1 kW
Current	max. 3,9 A
Brake	24 Vdc
Control voltage	24 Vdc
Control power	225 mA
External power supply	24 Vdc
External power supply current	max. 675 mA
Relay outputs	potential-free changeover contacts
Load relay outputs	max. ohmic load = 1 A / Max. inductive load = 1 A
Protection class	IP 40
Ambient temperature	+5...+40°C
Relative humidity	max. 93% (non-condensing)
Vibration	vibration-free mounting (e.g. brick wall)